

Fitment Guide

The ST PRO version of the Bognar Pickup System was designed to fit into a standard Fender Stratocaster* guitar that has a pickguard with an 11-screw "USA" pickguard pattern.

We can not guarantee that the electronics fit into any other non-standard Stratocaster-type guitar. Since manufacturers may use different cavity routings and pickguard patterns slight modifications might be necessary. If you don't have a standard Fender Stratocaster, please check this fitment guide and read our return policy before purchasing.

Will it fit?

We provide two printable templates that are in scale with the original product. The first template represents the pickguard and the electronics, and the second is only the electronics.

Print out the templates. Make sure that you print the PDFs in the original scale.

On the templates, there is an inch and mm scale. Use a ruler to check that the scaling is accurate.

Cut out the pickguard from the first template and the electronics from the second.

Remove or loosen your strings, then remove the pickguard by unscrewing it from the body. Fold the pickguard over, then check your guitar body for the following:

- 1. The pickguard holes on the first template must match the holes in the guitar body.**
(It may be a good idea to punch holes on the template where the screws are, to see the alignment better)
- 2. The electronics on the second template must fit into the guitar's cavity.**
- 3. The cavity of the guitar must be at least 30 mm or 1,18 inches deep.**

If **one of the three checks fails**, the electronics won't fit into your guitar without modifications.

If only the first check fails, you may have the following options:

Option 1: dismount the electronics from the pickguard and mount it on the original pickguard.

Option 2: drill new holes in the body to match the new pickguard.

If the second or third check fails, the only remaining option is to enlarge the guitar's cavity.

For guitars with a **spoke wheel truss rod adjuster** at the heel (e.g. Fender Elite Strat), you have to make a cutout on the pickguard or remount the electronics on the original pickguard.

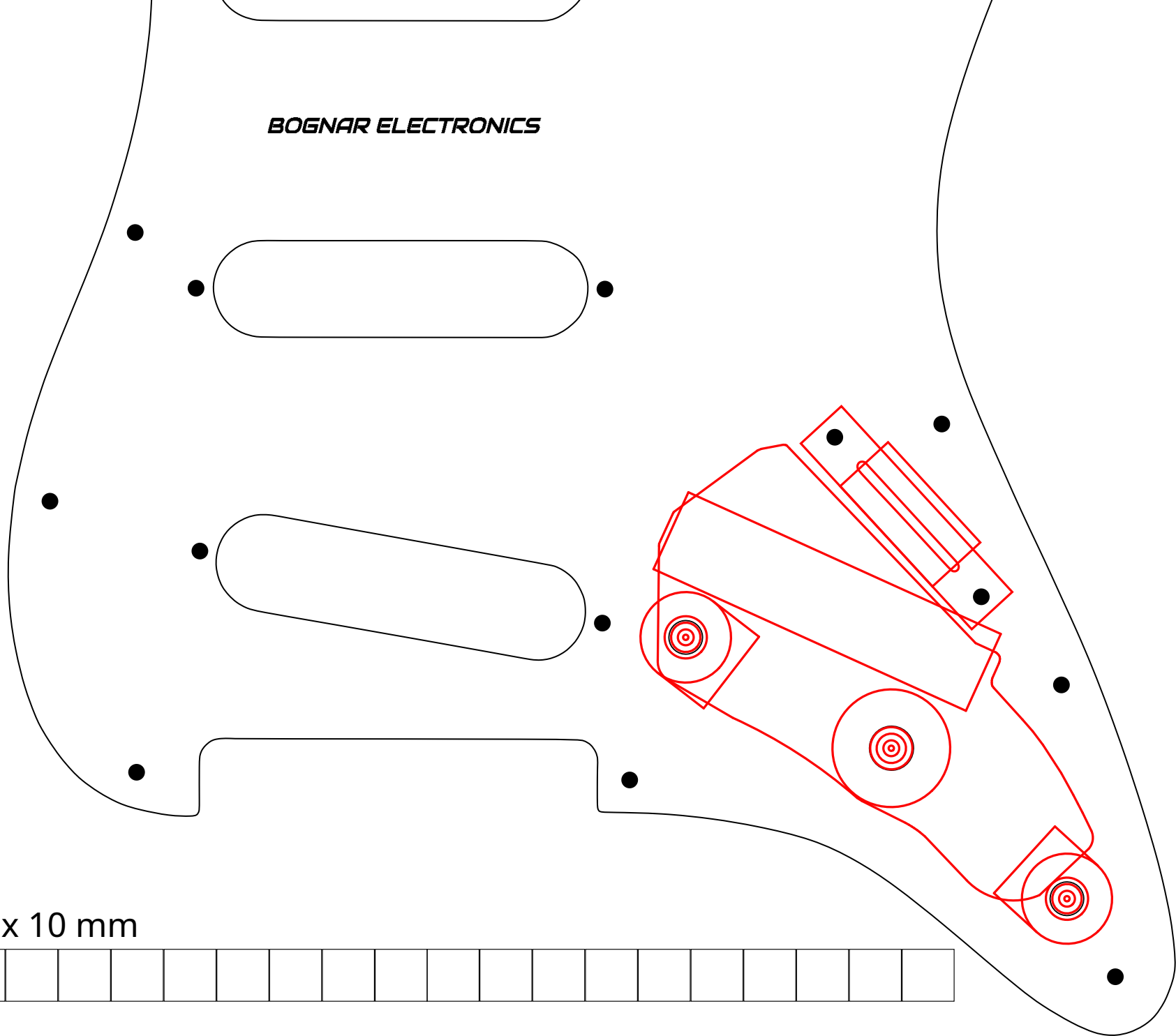
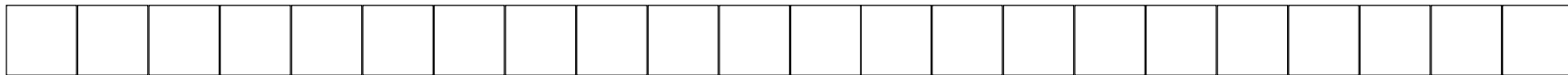
We recommend visiting a qualified luthier for making any modifications to your guitar.

Disclaimer: *This guide uses the best of our knowledge and experience with guitars, but we can not guarantee that it considers every possible fitment issue.*

BOGNAR ELECTRONICS

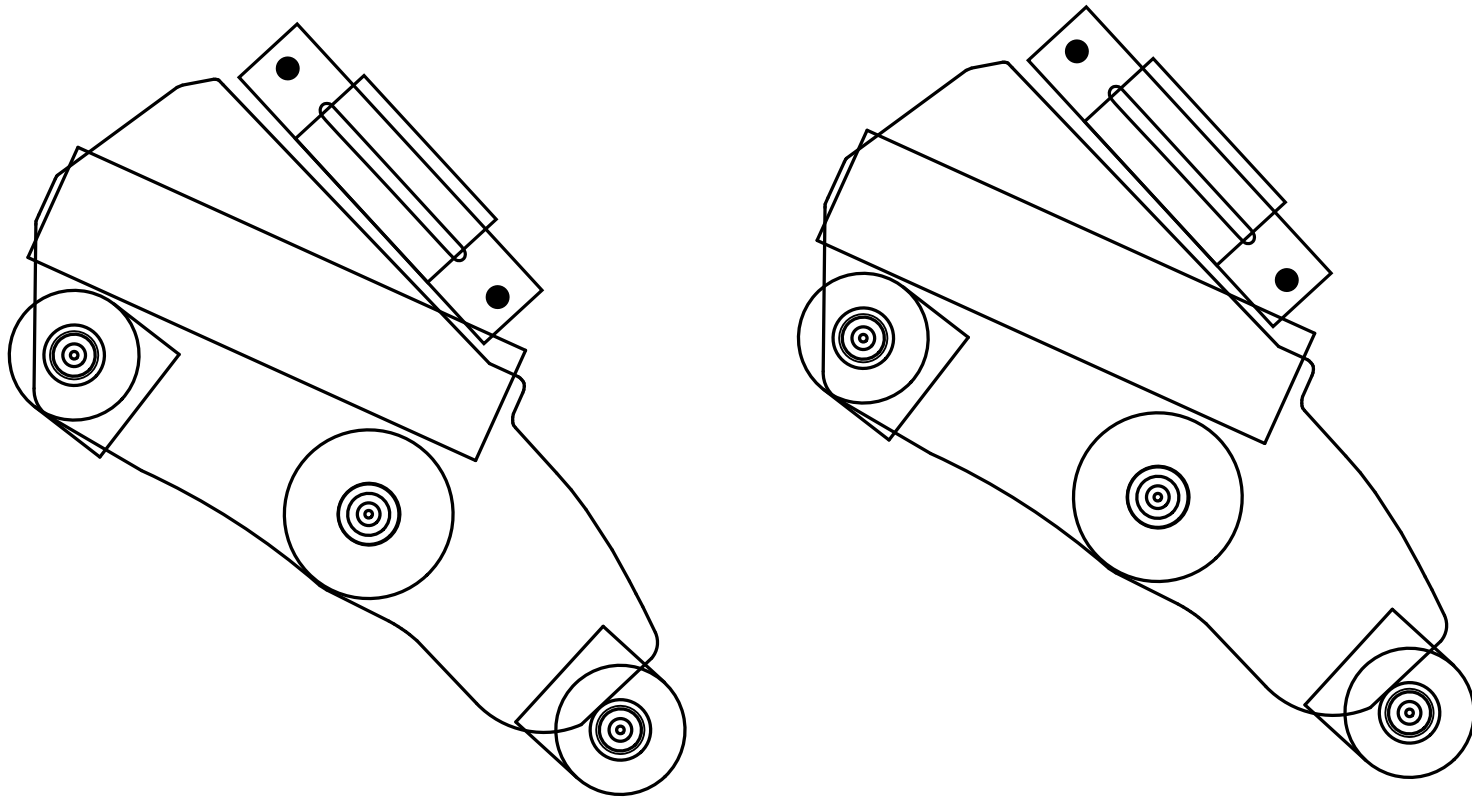
1 x 1 in

10 x 10 mm



BOGNAR ELECTRONICS

1 x 1 in



10 x 10 mm

